



PRELIMINARY DATASHEET

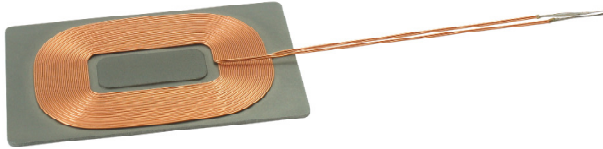
IWAS-4832FF-50

Vishay Dale

Wireless Charging Receiving Coil/Shield
With Attractor



RoHS
COMPLIANT

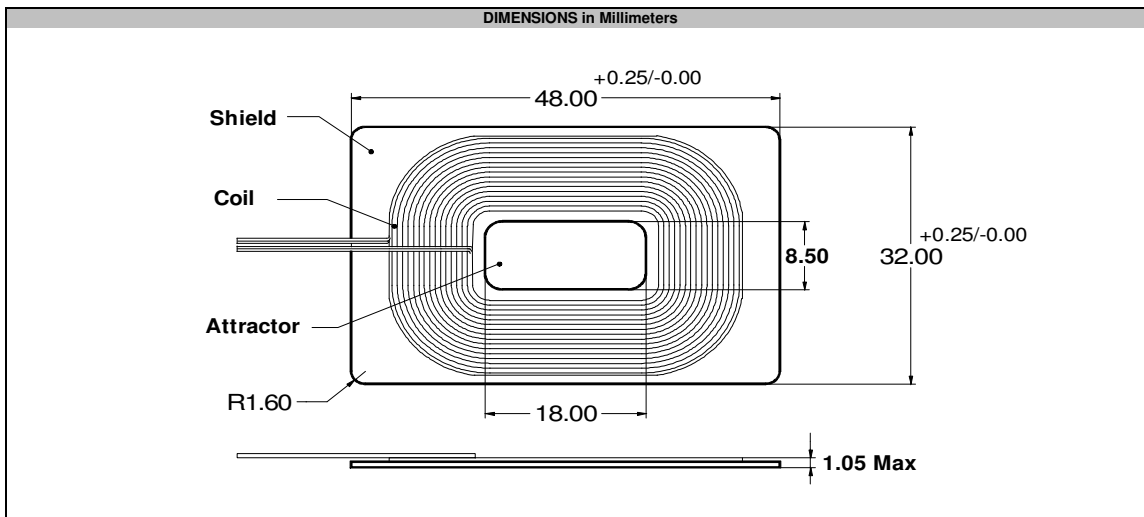


FEATURES

- Wireless Charging Receiving Coil
- High permeability shielding for Wireless Charging Receiving Coils
- Blocks charging flux from sensitive components or batteries
- High saturation powdered iron - not affected by permanent locating magnets
- Durable construction

STANDARD ELECTRICAL SPECIFICATIONS with Test Coil			
L_o INDUCTANCE $\mu\text{H} \pm 5\%$ @200KHz, .25V, 0A	DCR mOhms at 25°C +/- 5%	Efficiency	Q @ 200KHz
9.7uH	200mOhm	>70%	30 min
Coil Description			
Turns	Diameter	Lead Length	Tinned Length
15 Bifilar	29 AWG, 0.32mm Nom	50mm	10mm

Shield Material Characteristics
Permeability: ~24
Resistivity: >10MOhms @100V
Core Loss: 4000mW/cc @ 500 gauss, 250KHz
Magnetic Saturation: 50% @ 4000 gauss (~350 Oe)



DESCRIPTION			
IWAS-4832FF-50 MODEL	5% INDUCTANCE TOLERANCE	EB Package Code	e3 JEDEC Lead (Pb)-free Standard

GLOBAL PART NUMBER							
IWAS4832FFEB9R7J50							
IWAS	4832	FF	E	B	9R7	J	5 0
Model	Shield Size	Shield Thickness	Pb Free	Package	Inductance Tolerance	Material	Lead Config